

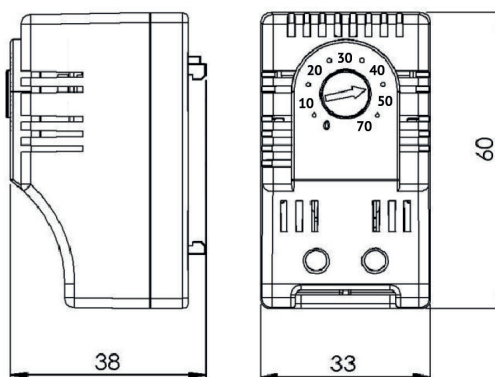
**PANEL**  
THERMOSTAT

## PRODUCT DATASHEET

### PRODUCT DESCRIPTION: KLM TM01 Thermostat Heat

#### STANDARDS and CERTIFICATE

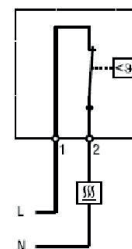
Order No: 680 001



#### PRODUCT EXPLANATION

#### CIRCUIT DIAGRAM

TP01 (NC CONTACT)



#### TECHNICAL AND GENERAL SPECIFICATION

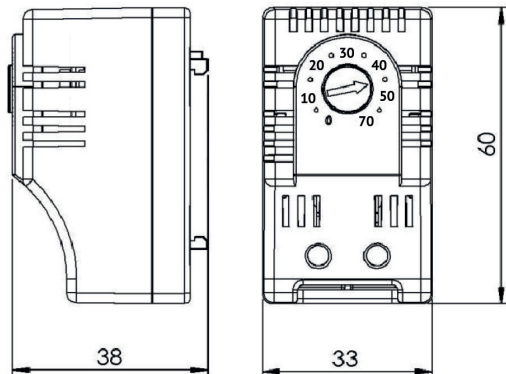
Temperature Range	0-70 °C	Mounting	35mm DIN Rail ( EN 50022 )
Sensor element:	Thermostatic bimetal	Operating Temperature	-20...+80°C (-49... +176°F)
Contact Type	Snap action	Dimensions	60x33x38
Contact Resistance	< 10mΩ	Connections	2 poles terminal 2,5 mm <sup>2</sup>
Working Voltage	AC 24-230V	Casing	UL94 V0
Max. Breaking Capacity	230VAC 10A 24VAC 15A	Standart	EN 60730-2-9
Insulation Class	IP20	Frequency	50 Hz

## PRODUCT DATASHEET

### PRODUCT DESCRIPTION: KLM TM02 Thermostat Cool

#### STANDARDS and CERTIFICATE

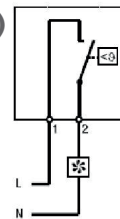
Order No: 680 002



#### PRODUCT EXPLANATION

#### CIRCUIT DIAGRAM

TP10 (NO CONTACT)



#### TECHNICAL AND GENERAL SPECIFICATION

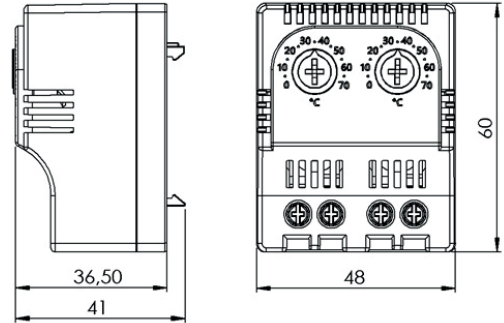
Temperature Range	0-70 °C	Mounting	35mm DIN Rail ( EN 50022 )
Sensor element:	Thermostatic bimetal	Operating Temperature	-20...+80°C (-49... +176°F)
Contact Type	Snap action	Dimensions	60x33x38
Contact Resistance	< 10mΩ	Connections	2 poles terminal 2,5 mm <sup>2</sup>
Working Voltage	AC 24-230V	Casing	UL94 V0
Max. Breaking Capacity	230VAC 10A 24VAC 15A	Standart	EN 60730-2-9
Insulation Class	IP20	Frequency	50 Hz

## PRODUCT DATASHEET

### PRODUCT DESCRIPTION: KLM TM12 Thermostat Cool-Heat

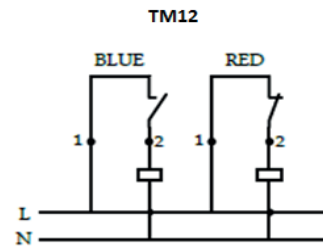
#### STANDARDS and CERTIFICATE

Order No: 680 003



#### PRODUCT EXPLANATION

#### CIRCUIT DIAGRAM



#### TECHNICAL AND GENERAL SPECIFICATION

Temperature Range	0-70 °C	Mounting	35mm DIN Rail ( EN 50022 )
Sensor element:	Thermostatic bimetal	Operating Temperature	-20...80°C (-49... +176°F)
Contact Type	Snap action	Dimensions	60x48x36.5
Contact Resistance	< 10mΩ	Connections	4 Poles terminal 2,5 mm <sup>2</sup>
Working Voltage	AC 24-230V	Casing	UL94 V0
Max. Breaking Capacity	230VAC 10A 24VAC15A	Standart	EN 60730-2-9
Insulation Class	IP20	Frequency	50 Hz



Visit our **website** for detailed info !

Kızılızüm Mahallesi Kemalpaşa Kızılızüm Cad. No:15 - 35730  
Kemalpaşa - İzmir / TURKEY  
Tel: (+90 232) 877 08 00 - Fax: (+90 232) 877 08 06

**Klemsan**<sup>®</sup>

Revizyon No: 12152017