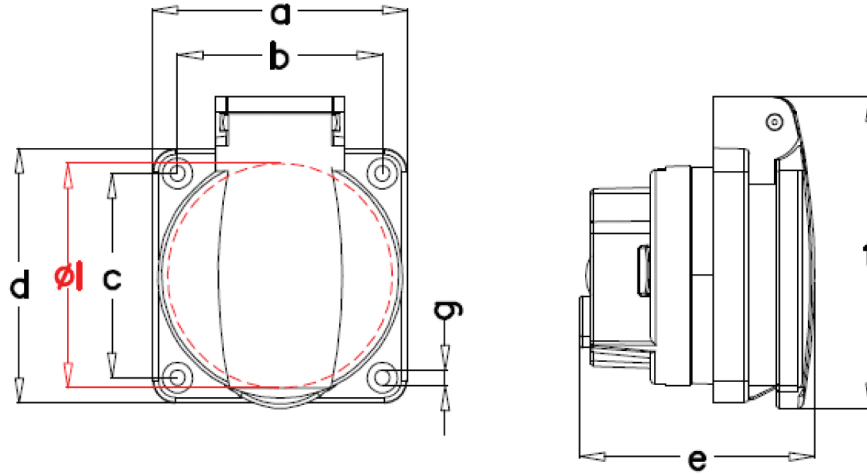


■ 3101-310-0900 / 1x16A PANO PRİZİ (MAVİ)
1x16A PANEL MOUNT SOCKET OUTLET (BLUE)



Ambalaj Mik.
Pack Unit

40



Ağırlık
Weight

50

Ölçüler / Dimensions

Ölçüler / Dimensions			
a	49.3	e	45
b	39.5	f	61
c	39.5	g	3
d	49.3	Øl	45