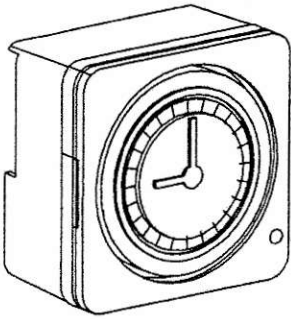
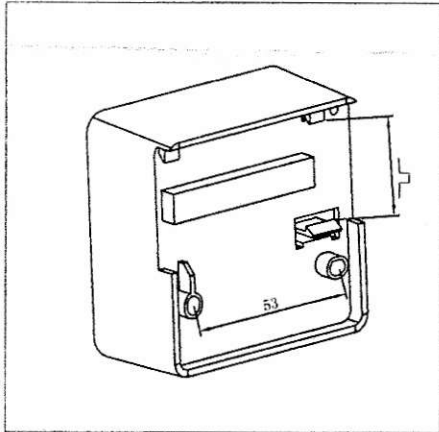


User instructions

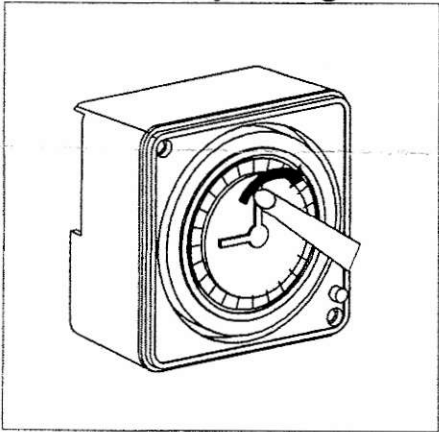
1ROMQRE-11 Time switch



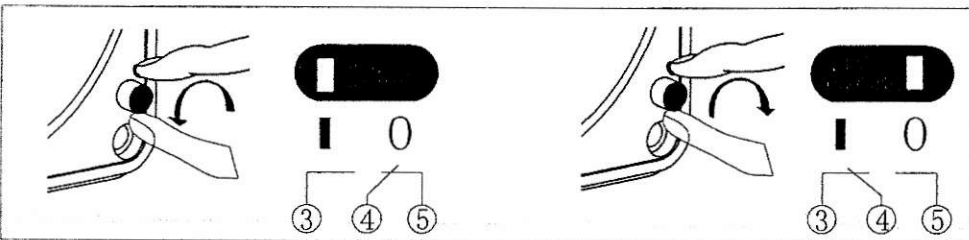
Fixing



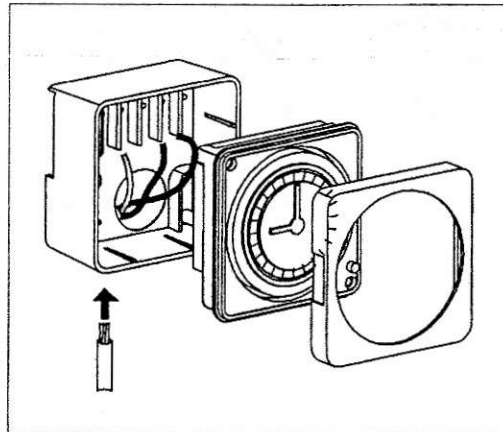
Time/day setting



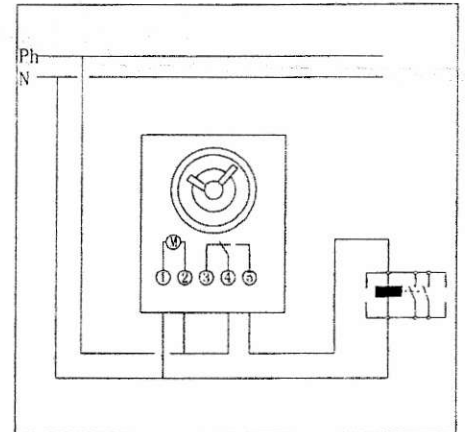
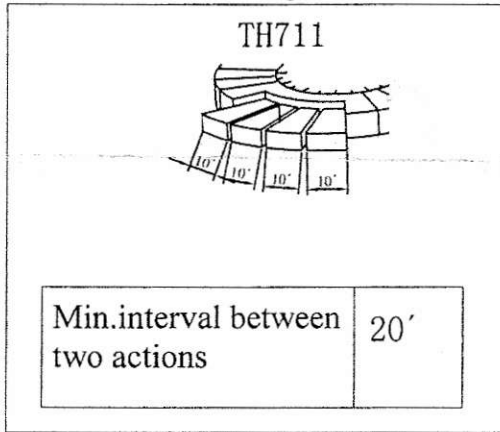
Manual override: switch back to automatic mode at the next switching action.



Connection

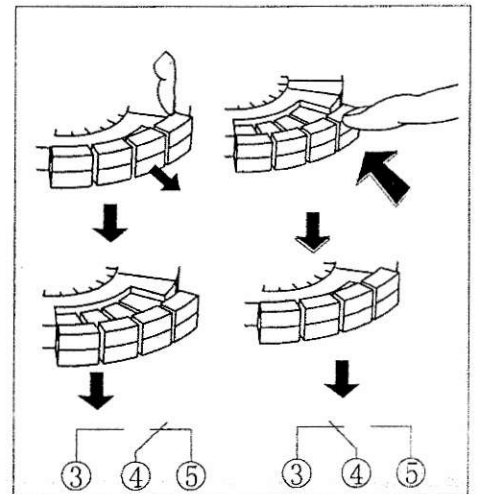


Switching dial



1 changeover switch
 $\mu 10A$ 250V ~ AC1
 3A 250V inductive load $\cos\phi=0.6$
 1000W incandescent lighting

Programming



Technical specifications

supply voltage:	220V ~ +10/-15% 50/60 HZ
technology:	quartz, with supply failure reserve at 20 °C : 72h after being connected for 120h
cycle:	24 hours
consumption:	1VA
working accuracy:	± 2 sec/day
working temperature:	-10 °C to +50 °C
storage temperature :	-20 °C to +55 °C
connection capacity:	1 to 6mm ²

1ROMQRE-11